

# Guardex



## Guardex

### Swing gate GRD-TS550



GRD-TS550 is an upgrade version special design for construction plant. With its unique design, it can entirely solve the bottleneck of normal turnstile, make the turnstile become an effective tool for construction plant access control. Moreover, we optimize the mechanical structure and material, all turnstiles use bulletproof PC material for barrier and card reader cover, it has higher fatigue resistance and impact resistance. The robust SUS body, anti-corrosive surface and waterproof design guaranteed the reliable operation of GRD-TS550 under the extreme outdoor conditions.

#### OPERATING MODES

- Single passage in the set direction
- Bi-directional single passage
- Free passage in the set direction
- Always free or locked

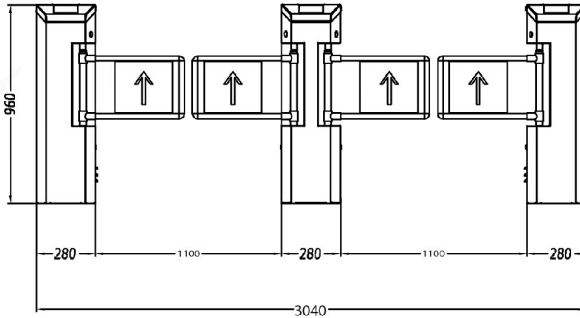
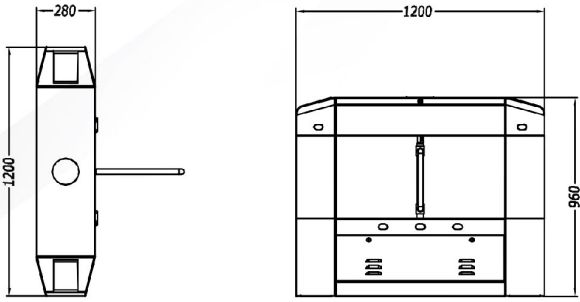
#### MATERIALS

- Housing: Made in stainless steel AISI 304 or AISI316.
- Barrier swings: Acrylic, PC, stainless steel frame.

#### FEATURES AND BENEFITS

- Monoblock welded construction ensures no slacking or deformation in the turnstile mechanism over time.

- The quiet low-energy drive consumes very little energy and adapts to the speed of the person entering.
- Power by adapter, easy for installation and after service.
- Enough space to integrate any kind of access control system.
- The turnstile top cover flashing LED direction indicators with bright pictograms displaying a status of the turnstile, indicating authorized/ not authorized and passage direction.
- Automatic "Anti-panic" barrier arms enable immediate clear the passageway in emergency situations without use of any special keys or tools.
- Card reading memory function, the user can set multiple time card reading passing or single time card reading passing.
- Special mechanical design makes swing can withstand high force impact.
- With optimized mechanical structure design, it has higher fatigue resistance and impact resistance. It can ensure high stability when the turnstile is working under extra high traffic, and maintain its long-term normal operation.
- Passage width can be optional from 600 to 1100mm, available to wheelchairs, large luggage or trollies.
- Outdoor operation without shelter with the temperature range from -25°C to + 70°C.



Technical Data	Unit	GRD-TS550
Passage width	mm	600-1100
Throughput rate	p/m	35
Power supply	V/(ac)	100-240
Operational voltage	V/(dc)	24
Max power consumption	w	20
Frequency	hz	50-60
Protection level	IP	>44
Working temperature	degree	-25 to +70
Dimension excluding bars	mm	1200*280*960
Net weight including bars	Kg	50

## Project Cases

