

Guardex



Guardex

Tripod turnstile GRD-TT350



GRD - TT350 is an upgrade version special design for construction plant. With its unique design, it can entirely solve the bottleneck of normal turnstile, make the turnstile become an effective tool for construction plant access control. Moreover, we optimize the mechanical structure and material, all turnstiles use bulletproof PC material for barrier and card reader cover, it has higher fatigue resistance and impact resistance. The robust SUS body, anti-corrosive surface and waterproof design guaranteed the reliable operation of GRD - TT350 under the extreme outdoor conditions.

OPERATING MODES

- Single passage in the set direction
- Bi-directional single passage
- Free passage in the set direction
- Always free or locked

MATERIALS

- Housing: In stainless steel AISI 304 or AISI316.
- Barrier arm- stainless steel bar.

FEATURES AND BENEFITS

- * suitable easy & comfortable design makes card and fingerprint authentication fast & simple for users
- * fingerprint and RFID reader
- * speed of throughput : RFID Less than 30 minutes
Fingerprint Less than 30 minutes

* Power by adapter, easy for installation and after service..

* Access can be controlled by a variety of measures including card readers, bio metrics or the manual control panel.

* The turnstile top cover flashing LED direction indicators with bright pictograms displaying a status of the turnstile, indicating authorized/ not authorized and passage direction.

* Power module installed in a protect box to prevent humidity and dust, increase the lifespan and working performance to its maximum.

* Automatic "Anti-panic" barrier arms enable immediate clear the passageway in emergency situations without use of any special keys or tools.

* Card reading memory function, the user can set multiple time card reading passing or single time card reading passing.

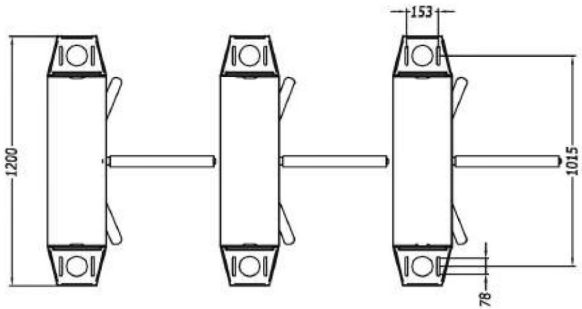
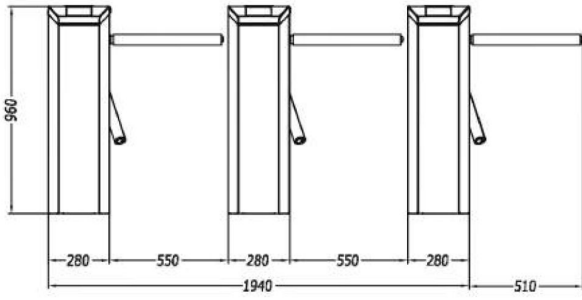
* Automatic reset function. If a passer does not pass the way during required time, the system will automatically cancel his right of pass.

* Security lock on lateral cover provide easy access for maintenance and prevents tampering.

* Outdoor operation without shelter with the temperature range from -25°C to + 70°C.

* accessories counter, card receiver box, remote control

* The quiet low-energy drive consumes very little energy and adapts to the speed of the person entering.



Technical Data	Unit	GRD-TT350
Passage width	mm	≤550
Throughput rate	p/m	35
Power supply	V/(ac)	100-240
Operational voltage	V/(dc)	24
Max power consumption	w	30
Frequency	hz	50-60
Protection level	IP	>44
Working temperature	degree	-25 to +70
Dimension excluding bars	mm	1200*280*960
Net weight including bars	Kg	35

project Cases

